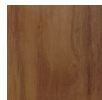
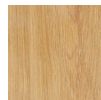


Odeon Bed



Classic
Walnut



White
Oak

White Oak available in King Size Only

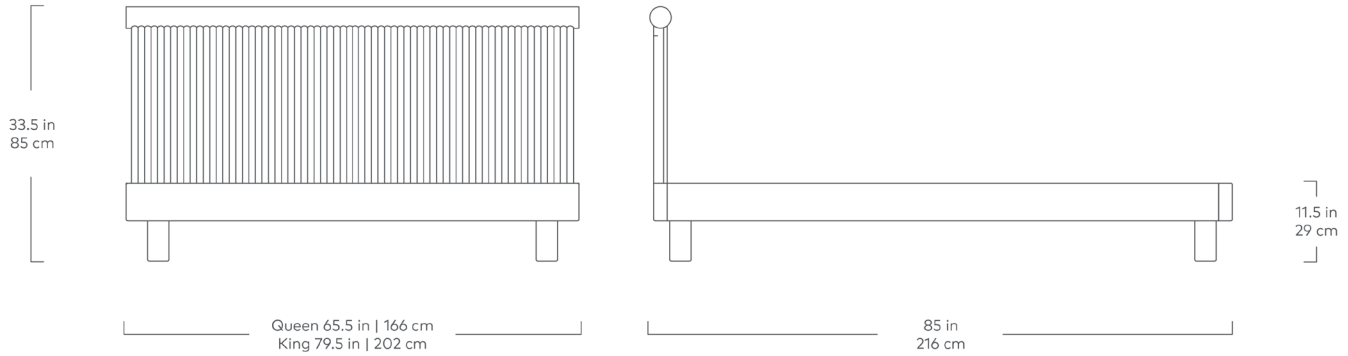
Neo-Classical forms get a contemporary treatment with the Odeon Bed, which evokes Doric columns and a sculptural dynamism. From every angle, this design reveals qualities that gently juxtapose and interplay: a scalloped headboard with a solid wood mantle; textured, organic wood grain; soft curves balanced by chiseled lines. The warm wood surface is finished by hand with a durable, all-natural matte stain, chosen to enhance the unique characteristics of the grain. Match with our Odeon End Tables for a cohesive look.

Design Trade Professionals: We aim to keep our designs in stock and ready to ship quickly for projects on a tight timeline. Designs may be customized with COM and alternate finishes (minimum quantities may apply).

Gus*

FOR PRODUCT INFORMATION, SWATCHES + ORDERING: HELLO@RYPEN.COM | 800.560.0554 | WWW.RYPEN.COM

Odeon Bed



- Scalloped headboard with solid wood elements that feature contrasting grain details.
- Main structure is constructed with engineered wood core for strength and stability, surface-faced with thick, real wood veneer.
- Solid wood details in the corners of the bed frame.
- Available in King and Queen sizes.
- No box spring required. Fits any mattress height, including pillowtop.
- Distance from floor to bottom of bedframe is 6 inches.
- Mattress suspension system uses a reinforced wood frame with solid wood slats and a sturdy steel center support for durability/comfort.
- Each bed is finished with Rubio® Monocoat - a durable, matte, oil-based protector designed to highlight the beauty of natural wood.
- Wood finish is certified 0% VOC and is an all-natural, environmentally friendly product.
- Surface can be revitalized as desired. Visit Rubio® Monocoat website for more information.
- Solid wood dowel legs have non-marking leveler feet which can be adjusted for stability on uneven floor surfaces.
- Wood is a natural material, with variations in grain pattern that make each design unique.
- It is normal for solid wood to expand and shrink as a result of variations in environmental humidity. A consistent humidity level of approximately 50% is recommended to prevent cracks and surface splits.
- Assembles easily with provided hardware.





PROFESSIONALS

rypen
STUDIO

Register for Our Exclusive
Project Builder + Ordering Platform

